

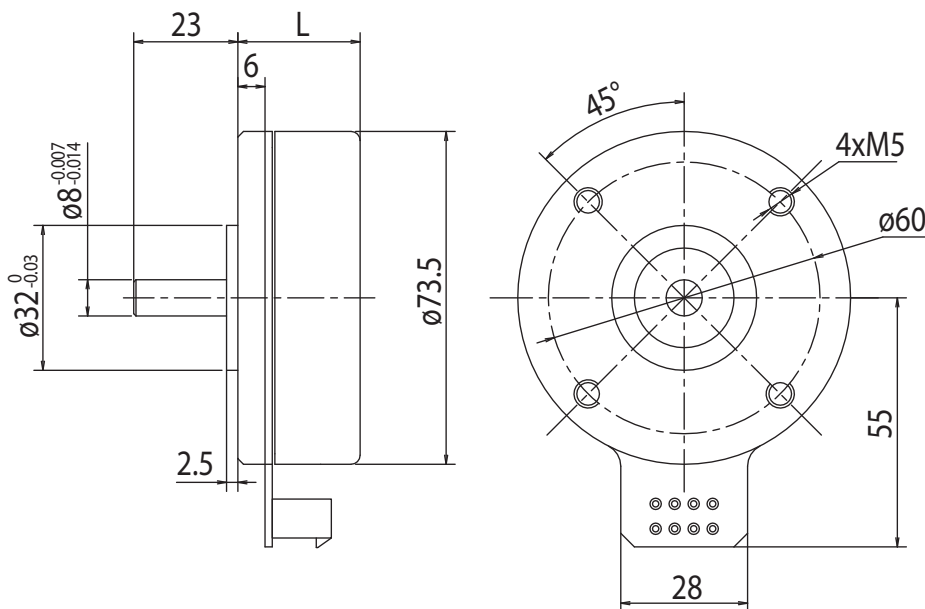
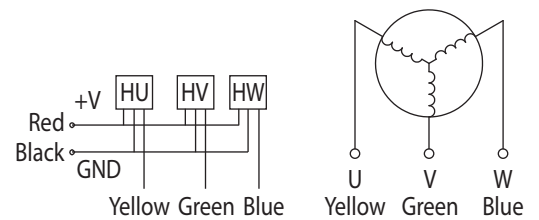
BLDC Motor Type BL74



Technical Data

Model	BL74.26	BL74.31	BL74.36
Rated Voltage (V)	24	24	24
Rated Speed (min ⁻¹)	3000	3000	3000
Rated Torque (Ncm)	30	45	60
Rated Power (W)	90	140	180
Rated Current (A)	5.8	8.9	11.6
Peak Current (A)	17.4	26.7	34.8
Peak Torque (Ncm)	90	135	180
Rotor Inertia (kg/cm ²)	1.5	1.9	2.3
Torque Constant (Ncm/A)	5	5	5
Back EMF (V/min ⁻¹)	4.5	4.5	4.5
Resistance (Ω)	0.5	0.4	0.3
Inductance (mH)	0.2	0.1	0.05
Length (mm)	26.3	31.3	36.3
Net Weight (kg)	0.5	0.7	0.9
No. of Poles	16		
No. of Phases	3		

Rel. Humidity: 20 to 85% | Ambient Temp.: -20 to +50 °C



Options

Rear Shaft	Special Voltage
Special Shaft	Gearbox