

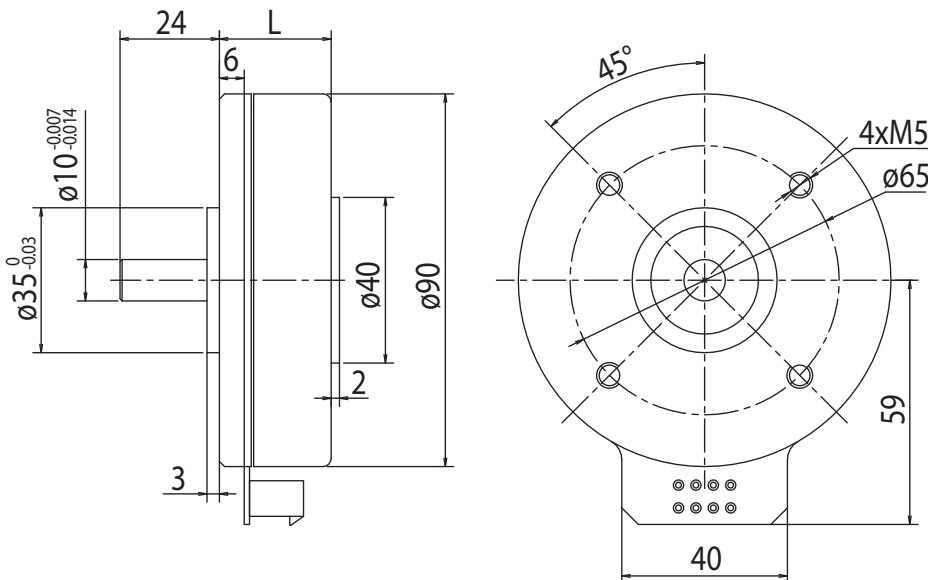
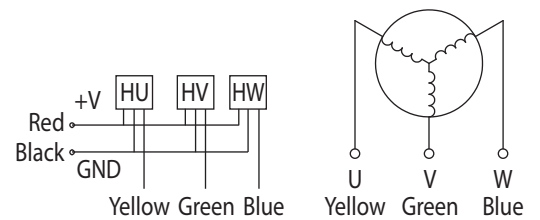
BLDC Motor Type BL90



Technical Data

Model	BL90.26	BL90.31	BL90.36
Rated Voltage (V)	24	24	24
Rated Speed (min ⁻¹)	2000	2000	2000
Rated Torque (Ncm)	50	75	100
Rated Power (W)	100	150	200
Rated Current (A)	6.4	9.6	12.8
Peak Current (A)	19.2	28.8	38.4
Peak Torque (Ncm)	150	225	300
Rotor Inertia (kg/cm ²)	3	4	5
Torque Constant (Ncm/A)	8	8	8
Back EMF (V/min ⁻¹)	7.5	7.5	7.5
Resistance (Ω)	0.4	0.25	0.15
Inductance (mH)	0.3	0.25	0.2
Length (mm)	26.3	31.3	36.3
Net Weight (kg)	0.6	0.8	1.0
No. of Poles	24		
No. of Phases	3		

Rel. Humidity: 20 to 85% | Ambient Temp.: -20 to +50 °C



Options

Rear Shaft	Special Voltage
Special Shaft	Gearbox