

# DC Motor Coreless Planetary Gearbox Type PL10-DC10.20



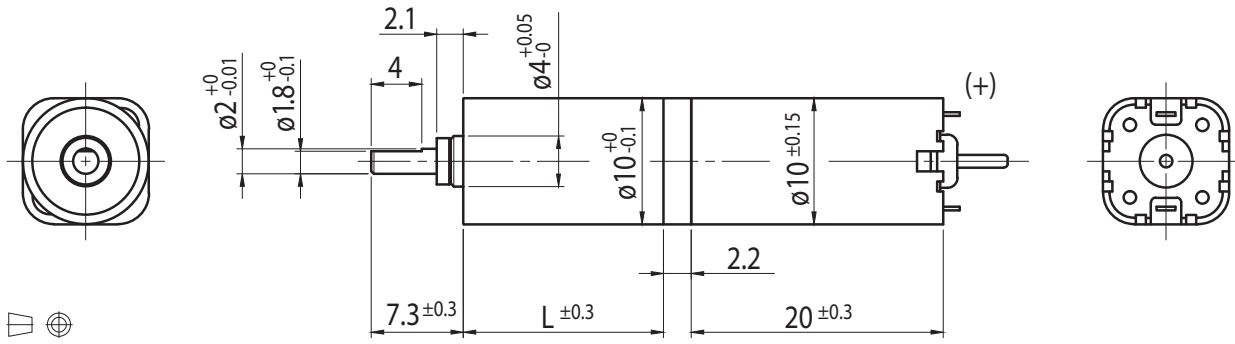
## Gearmotor

Gear Ratio		4	16	64	256	1024	4096
4.5V	Rated Torque (Ncm)	1.7	6.1	21.2	40	50	60
	Rated Speed (min <sup>-1</sup> )	1690	420	105	29	7.7	1.9
Direction of Rotation		CW					
Length L (mm)		9.7	12.8	15.9	19	22.1	25.2

Rel. Humidity: 20 to 85 %  
Ambient Temp.: -10 to +60 °C

## Options

Rear Shaft
Leads
Connector
Special Shaft
Special Voltage



## Motor

Rated Voltage (V)	Rated Torque (Ncm)	Rated Speed (min <sup>-1</sup> )	Rated Current (A)	No Load Speed (min <sup>-1</sup> )	No Load Current (A)	Rated Power (W)	Weight (g)
4.5	0.51	6800	≤270	8100	≤125	0.4	8.2

