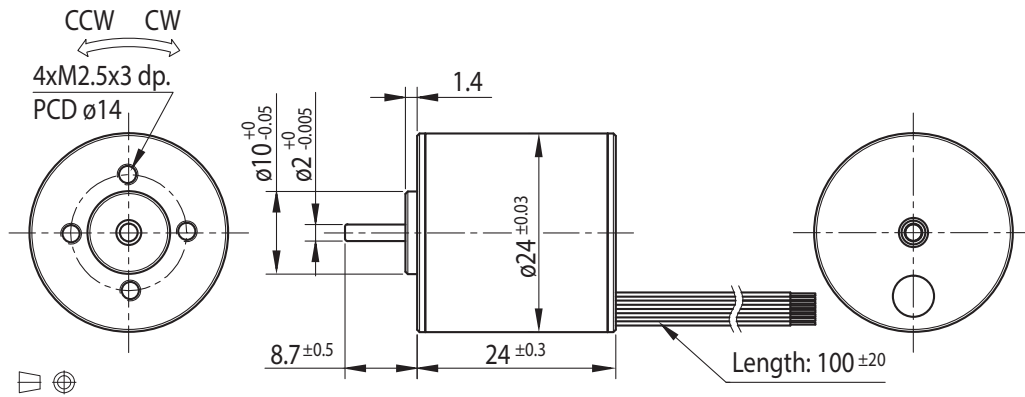
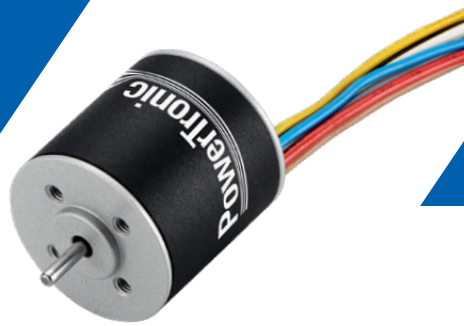


BLDC Motor Type BL24.24H



Pin No.	Colour	Function	Wire Spec
1	Red	U	UL1430 24AWG
2	Black	V	
3	White	W	
4	Blue	GND	UL1430 26AWG
5	Yellow	HU	
6	Brown	HV	
7	Gray	HW	
8	Green	+5V	

Motor

Rated Voltage (V)	Rated Torque (Ncm)	Rated Speed (min ⁻¹)	Rated Current (A)	No Load Speed (min ⁻¹)	No Load Current (A)	Rated Power (W)	Max. Efficiency (%)	Weight (g)
12	0.15	6500	0.25	400	0.21	1	45	35

