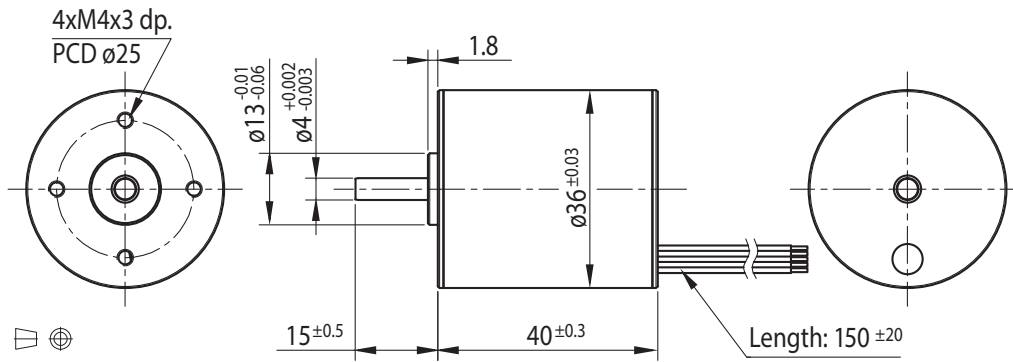
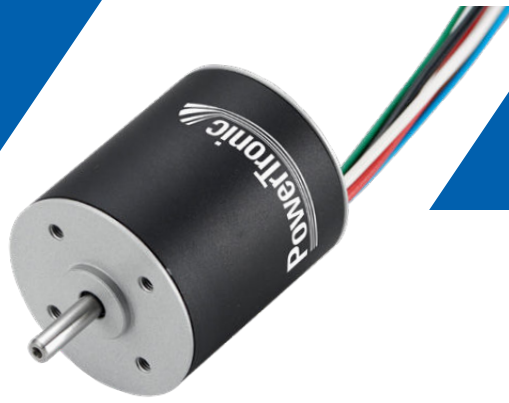


# BLDC Motor Type BL36.40H



Pin No.	Colour	Function	Wire Spec
1	Red	U	UL1430 20AWG
2	Black	V	
3	White	W	
4	Blue	GND	UL1430 26AWG
5	Yellow	HU	
6	Brown	HV	
7	Gray	HW	
8	Green	+5V	

## Motor

Rated Voltage (V)	Rated Torque (Ncm)	Rated Speed (min <sup>-1</sup> )	Rated Current (A)	No Load Speed (min <sup>-1</sup> )	No Load Current (A)	Rated Power (W)	Max. Efficiency (%)	Weight (g)
24	4	3600	1.3	5000	0.45	15	55	180

