

Motor Series **MTS3b**

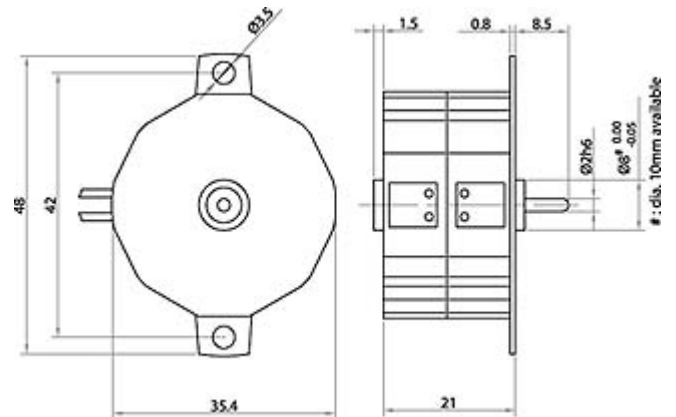
Stepper Motor 15°



Technical Data

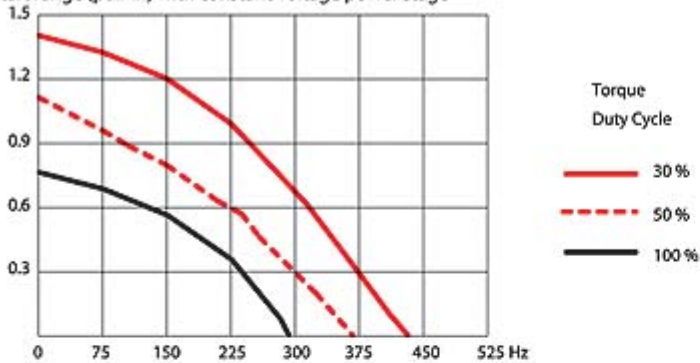
Steps/revolution	24				
Winding type	bipolar				
Rated Voltage	V	3	6	12	24
Resistance per winding	Ω	11.5	18.5	100	460
Winding type	unipolar				
Rated Voltage	V	3	6	12	24
Resistance per winding	Ω	12	28.5	120	500
Winding temp.	$^{\circ}\text{C}$	105 max.			
Holding torque	gm-cm	120(MTSB3b)		100(MTSU3b)	
Axial Force	gm	100			
Lateral Force	gm	300			
Rotor Inertia	gmcm ²	2.9			

Drawing



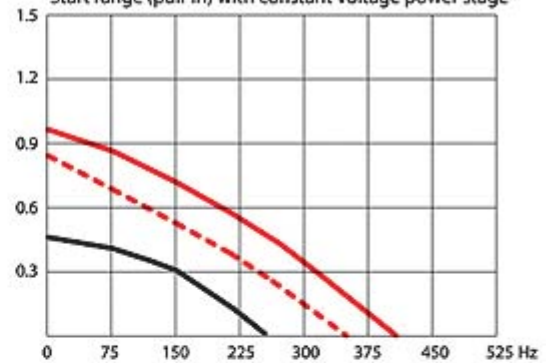
Torque Graphs

Start range (pull-in) with constant voltage power stage

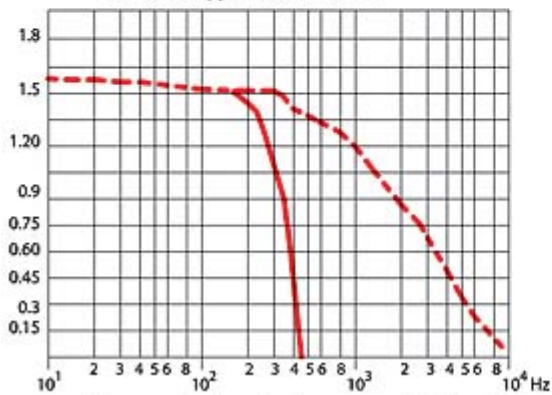


2-Phase stepper Motor MTSB3b

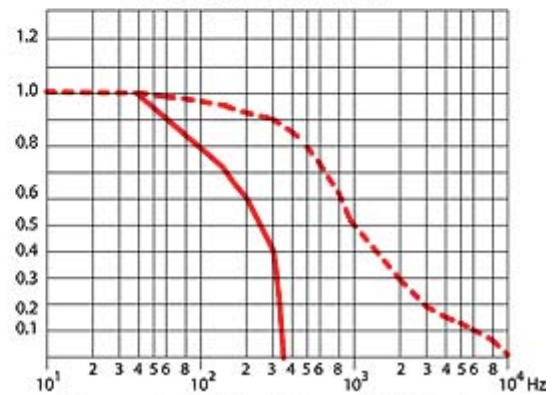
Start range (pull-in) with constant voltage power stage



4-Phase Stepper Motor MTSU3b



Slew range (pull-out) and start range (pull-in) with constant current power stage (chopper Drive)



Slew range (pull-out) and start range (pull-in) with constant current power stage (chopper Drive)