

Motor Series **MTS5**

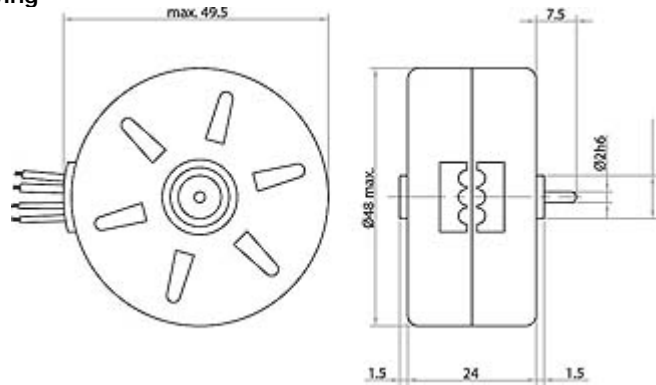
Stepper Motor 15°



Technical Data

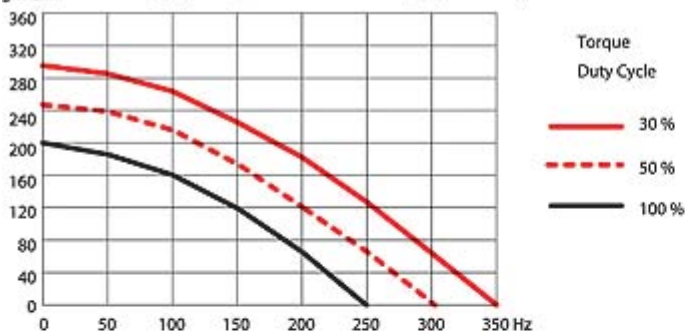
Steps/revolution				24
Winding type				bipolar
Rated Voltage	V	6	12	24
Resistance per winding	Ω	15	78	300
Winding type				unipolar
Rated Voltage	V	6	12	24
Resistance per winding	Ω	20	78	300
Winding temp.	$^{\circ}\text{C}$			105 max.
Holding torque	gm-cm		230(MTSB4b)	200(MTSU4b)
Axial Force	gm			200
Lateral Force	gm			400
Rotor Inertia	gmc m^2			6

Drawing

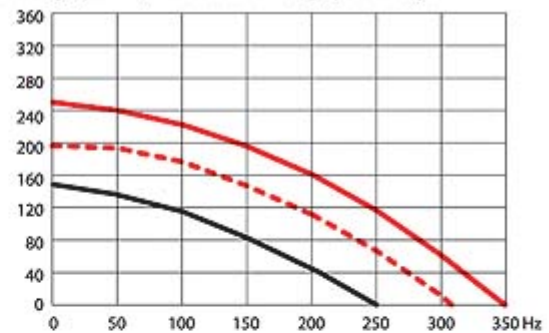


Torque Graphs

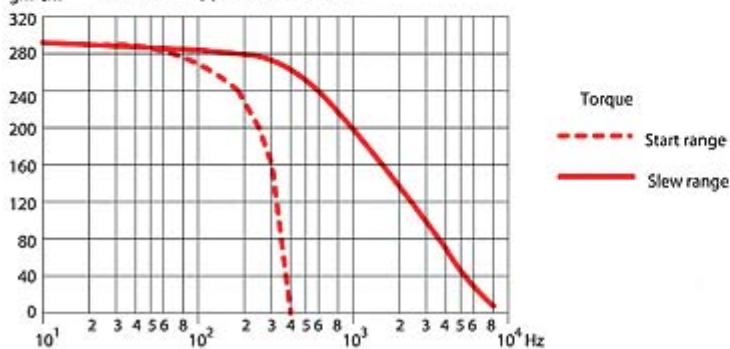
Start range (pull-in) with constant voltage power stage



Start range (pull-in) with constant voltage power stage

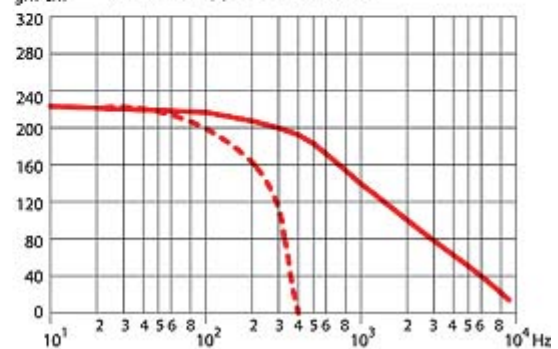


2-Phase stepper Motor MTSB5



Slew range (pull-out) and start range (pull-in) with constant current power stage (chopper Drive)

4-Phase Stepper Motor MTSU5



Slew range (pull-out) and start range (pull-in) with constant current power stage (chopper Drive)