

Low Backlash Planetary Gearbox for Servo Motors Type PL45ZDF

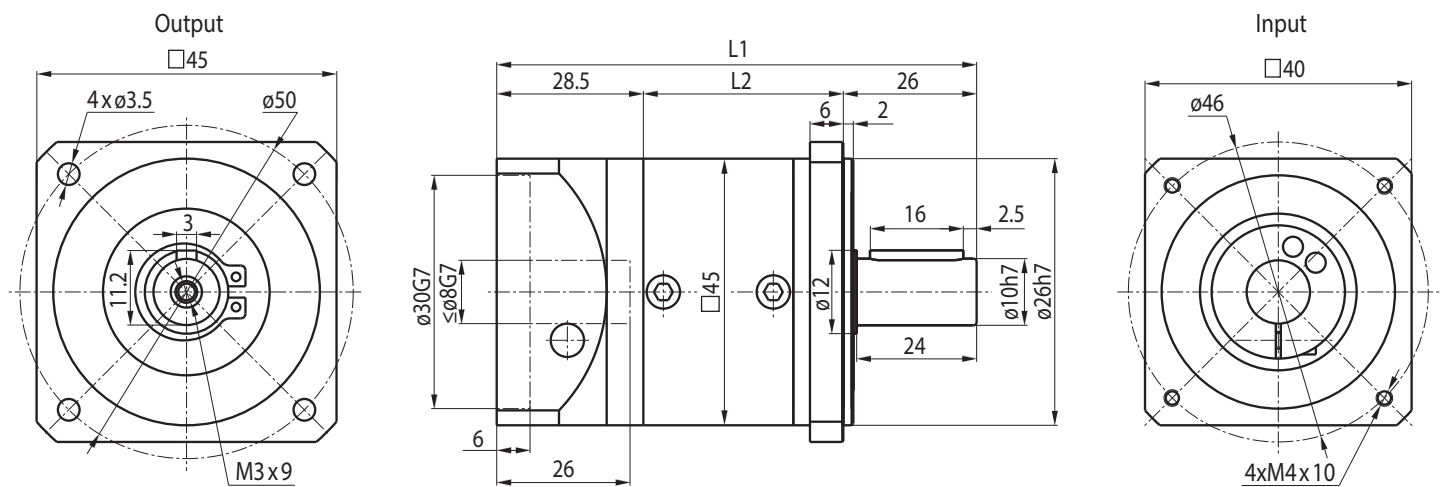
PowerTronic



Gear Ratio	3	4	5	8	10	12	15	16	20	25	32	40	64
Rated Torque (Nm)	4.5	6	6	5	4	16.5	16.5	20	20	18	20	18	7.5
Moment of Inertia (kg/cm ²)	0.031	0.022	0.019	0.017	0.015	0.022	0.019	0.022	0.019	0.019	0.017	0.016	0.016
No. of Stages	1	1	1	1	1	2	2	2	2	2	2	2	2
Length L1 (mm)	93.5						106.5						
Length L2 (mm)	39						52						

Gear Ratio	60	80	100	120	160	200	256	320	512
Rated Torque (Nm)	16.5	20	20	16.5	20	18	20	18	7.5
Moment of Inertia (kg/cm ²)	0.019	0.019	0.019	0.016	0.016	0.016	0.016	0.016	0.016
No. of Stages	3	3	3	3	3	3	3	3	3
Length L1 (mm)	119								
Length L2 (mm)	64.5								

Protection Class: IP54 | Ambient Temp.: -25 to +90 °C | Net Weight max. 0.6 kg



Torsional Stiffness (Nm/arcmin)	Noise (dB [A])	Max. Input Speed (min ⁻¹)	Recommended Input Speed (min ⁻¹)	Life (h)
0.7	55	4500	3000	20000

	Backlash (arcmin)	Full Load Efficiency (%)
No. of Stages 1	< 12	96
No. of Stages 2	< 15	94
No. of Stages 3	< 18	90

Radial Load (FR): 160 N (10 mm from face mounting) | Axial Load (FA): 80 N